

ATEX ENCLOSURES : GUB SERIES

MECHANICAL CHARACTERISTICS :

Body and lid : Aluminum low copper content. Screw cap with safety screw

Seal : Resistant to acids, hydrocarbons and high temperatures, located between the body and the lid

Certification label : Adhesive label located inside empty enclosures. Aluminum label riveted to the body

Bolts and screws : Stainless steel

Earth screw : Stainless steel. Inside and outside the complete body with anti-rotation brackets

Assembly : Cast aluminum feet

Coating : RAL 7035 polyester coating (light gray)

Corrosion resistance : The STANDARD aluminum used has passed the tests required by EN 60068-2-30 (hot / humid cycles) and EN 60068-2-11 (salt spray tests)



ACCESSORIES AVAILABLE ON REQUEST / SPECIAL REQUESTS :

Anti-condensation coating RAL 2004 (pure orange)
breather

Drain valve

Polyester outer coverings in different colors

Boxes GUB -... Series V with round viewing window on the lid

Special version for cabinet GUB-05

Internal mounting plate :

- 2.5 mm thick aluminum
- Electrogalvanized steel 2.5 mm thick

Tapping options :

- NPT ANSI B1.20.1 thread
- GAS thread UNI ISO 7-1
- Metric thread ISO 261/965

We manufacture all types of customized products according to customer specifications and in accordance with the certification data.

GUB SERIES INFORMATION :

GUB series junction boxes can be installed in all areas of an explosion and / or fire hazard installation or in areas where flammable dust is present, classified in Zone 1, 2 , 21, 22. The quality of this product is recognized and appreciated around the world for its specific aluminum alloy and the mechanical properties of its finishes. The GUB series is used where IIC gases are present and is mainly used to transport terminals, fuse carriers, transformers, reactors and gates, but it is also used for the production of control panels and signaling, signaling and power panels and surge arresters, and motor starter boxes with different configurations, specially designed to meet the requirements of our customers worldwide.

Our group attributes to its products a non-removable adhesive label with a hologram and alphanumeric univocal code, as a security measure against the illegal sale of counterfeits, so that all products are guaranteed original. Failure to meet international standards creates serious environmental risks, especially for those who work in factories on a daily basis.

APPLICATION SECTORS :



Classification:	Group II	Category 2GD		
Installation: EN 60079-14	zone 1 - zone 2 (Gas)	zone 21 - zone 22 (Dust)		
Marking:	CE 0722 Ex II 2 GD - Ex db IIC Gb - Ex tb IIIC Db - IP66			
Certification:	ATEX	CESI 01 ATEX 034U		
	IEC Ex	CES 14.0012U		
	TR CU	AVAILABLE		
Standards:	CENELEC EN 60079-0: 2009, EN 60079-1: 2007, EN 60439-1, EN 60079-31: 2009, EN 60529: 1991 and EUROPEAN DIRECTIVE 2014/34/UE			
Ambient Temp.:	-20°C +60°C	Standard temperature on all GUB boxes.		
	-60°C +150°C	Special temperature.		
Degree of protection:	IP66			

Certifications Asutralian, Brazilian, GOST R (Russia) and GOST K (Kazakhstan) available on request.

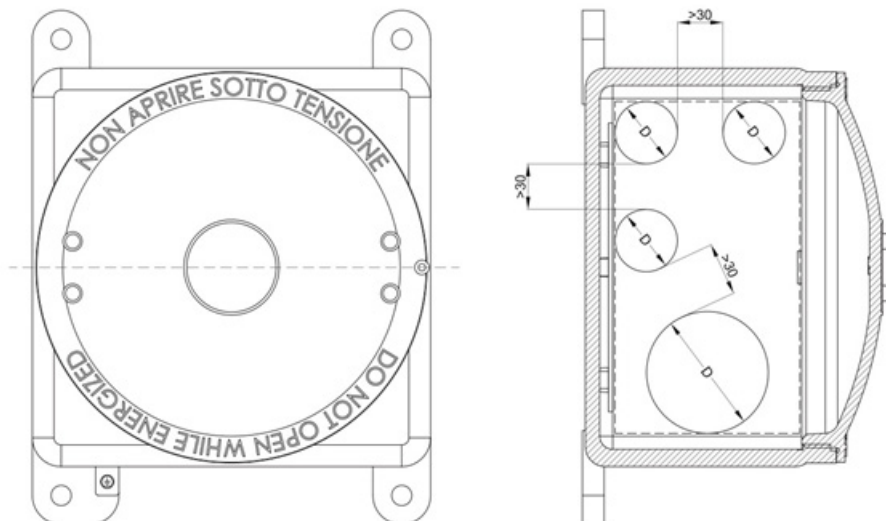
THREAD CHART :

ISO 7-1	1/2"	3/4"	1"	1 1/4"	1 1/2"	2"	2 1/2"	3"	4"
ANSI B.20.1 NPT	1/2"	3/4"	1"	1 1/4"	1 1/2"	2"	(+)	(+)	(+)
ISO 261/965	20x1.5	25x1.5	32x1.5	40x1.5	50x1.5	63x1.5	75x1.5	90x1.5	
D Thread diameter	1	2	3	4	5	6	7	8	10



Drilling and tapping are performed in accordance with the ATEX directive.

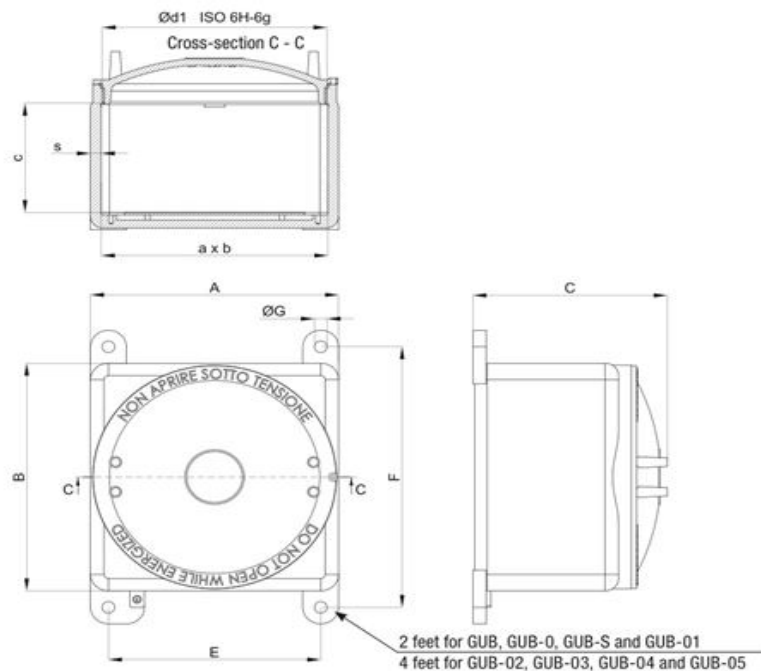
TYPE DE BOITIER	TABLEAU DES PERCAGES									
	Drilling area mm	One side								
		MAXIMUM QUANTITY PER HOLE TYPE								
		1	2	3	4	5	6	7	8	10
GUB	80x50	2	2	1	1	1	-	-	-	-
GUB-S	80x80	4	2	2	1	1	-	-	-	-
GUB-0	115x60	3	3	2	2	1	-	-	-	-
GUB-01	135x70	5	3	2	2	2	1	-	-	-
GUB-02	180x85	8	6	5	3	2	2	2	-	-
GUB-03	230x130	15	12	8	6	6	3	2	2	1
GUB-04	375x120	21	14	12	10	9	4	3	3	2
GUB-05	455x140	27	24	14	12	11	7	4	4	3



DIMENSIONAL CRITERIA :

Code	Outside dimensions			Inside dimensions					Mounting			Weight kg
	A	B	C	a	b	c	Ød1	s	E	F	ØG	
GUB	120	120	116	96	96	60	95x2	12	100	145	9	
GUB-S	120	120	145	96	96	93	95x2	12	100	145	9	
GUB-0	150	150	130	126	126	68	130x2	12	126	174	10	
GUB-01	174	174	140	146	146	78	150x2	12	150	195	10	
GUB-02	230	230	165	204	204	92	200x3	12	196	267	14	
GUB-03	276	276	217	250	250	135	250x3	12	236	316	14	
GUB-04	430	430	290	398	398	158	390x3	16	390	480	14	
GUB-05	520	520	327	480	480	164	460x3	20	480	570	14	

DIMENSIONAL PLAN :



Dimensions in mm